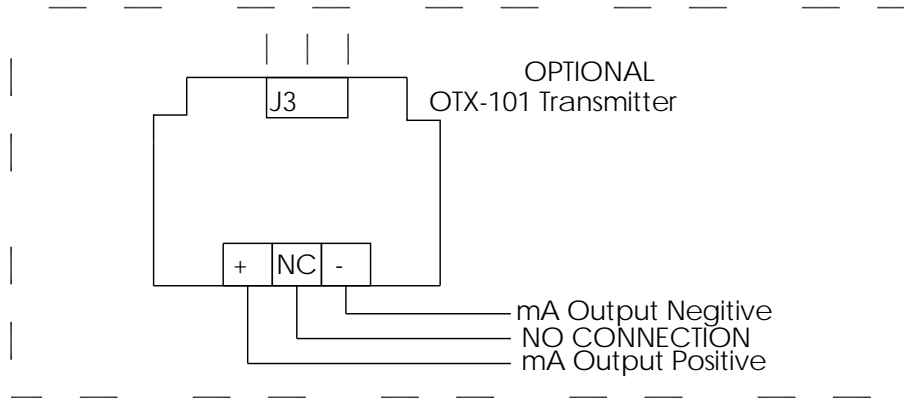
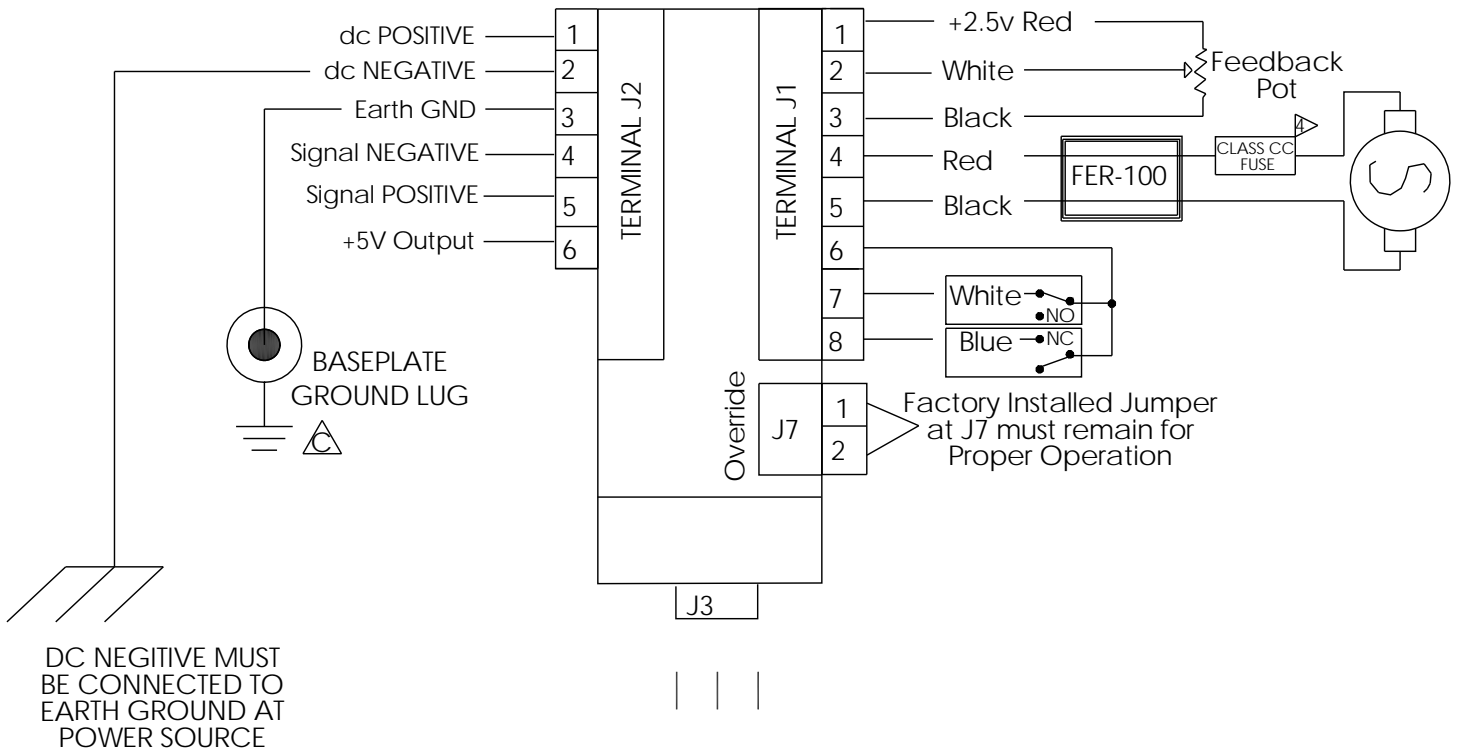



ACTUATOR SHOWN IN COUNTER-CLOCKWISE EXTREME OF TRAVEL, OR "OPEN" POSITION



1. TORQUE TERMINAL STRIP WIRING TO 5 IN-LBS
2. CONTROL WIRING SHALL BE INSULATED WITH CONDUCTORS RATED AT 105°C, 300V MINIMUM
3. 75°C COPPER SUPPLY WIRES ONLY
4. UL UNITS REQUIRE LITTLEFUSE L60030C1C FUSE HOLDER WITH LITTLEFUSE CCMR004.TXP 4A FUSE FOR 24VDC POWER SUPPLY, OR LITTLEFUSE CCMR002.TXP 2A FUSE FOR 12VDC POWER SUPPLY

UNLESS OTHERWISE SPECIFIED		THIS DRAWING AND ALL INFORMATION HEREON IS THE PROPERTY OF ASAHI/AMERICA. ANY COPYING, REPRODUCTION OR UNAUTHORIZED USE IS FORBIDDEN WITHOUT WRITTEN CONSENT.		ASAHI/AMERICA ISO 9001 CERTIFIED 655 ANDOVER STREET, LAWRENCE, MA					
DIMENSIONS ARE IN INCHES								VSI SERIES 92 12/24 VDC W/DHC-400 & OTX-101	
MACHINING	2 PL DECIMALS ± .01	DR	C. Williams	DATE	01/20/15	JDE PART #			
TOLERANCES:	3 PL DECIMALS ± .005	REV	K. Blystone	08/01/16	SIZE	A	DWG # M92WD8593	REVISION	C
	ANGULAR ± 1/2°	PRODUCT:	VALVE & ACT		SCALE	N/A	SHEET 1 OF 1		
	FRACTIONAL ± 1/64	WO#/CO#							
FABRICATION	1/2" - 8" ± 1/4								
TOLERANCES:	10" AND UP ± 1/2								
	ANGULAR ± 1.0°								
WELD TYPE:	N/A								
MATERIAL:	N/A								
FINISH:	N/A								