

# Wellmark Series W67

## “Mini Gun II” General Purpose Instrument and Gas Pressure Regulator



### Application

The “Mini Gun II” Series W67R and W67FR regulators are standard equipment for pneumatic liquid level controls and valve positioners, and provide constant and reliable controlled reduced pressures. In addition, they can be used for general-purpose control of gas or air to other pneumatic instruments. The standard regulator is selfrelieving. For safety reasons, the NACE version is not self-relieving.

### Features

- Rugged, Compact & Lightweight Construction
- Cost Effective
- Internal Relief
- Filtered and Non-Filtered Options
- Filtered Unit, Panel Mount Standard
- Filtered Unit, 40 Micron Cellulose
- Spring Case Vent Standard, ¼-inch FNPT
- Three Output Ranges (See Table 1)
- Easy In-line Maintenance
- Dual Outlets

### Specifications

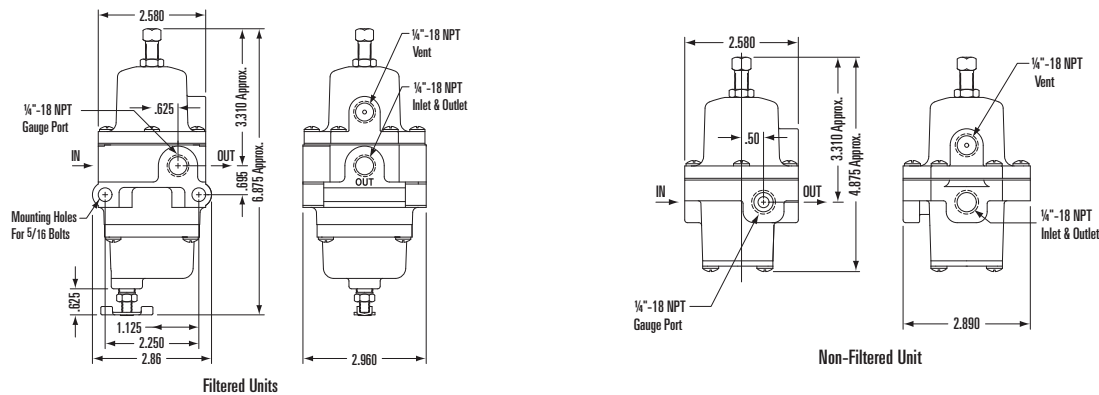
Body material ..... Baked epoxy finish  
 Port sizes ..... ¼-inch FNPT  
 Inlet supply pressure ..... 250 psi Max.  
 Temperature ..... -20°F to 180°F  
 Three output range ..... (See Table 1)  
 Capacities ..... (See Table 2)  
 Diaphragm and seat plug ..... Nitrile (Viton - NACE)  
 Drain valve ..... 1/8-inch brass (316SS - NACE version)  
 Adjusting screw and jam lock nut ..... Zinc plated steel  
 Back mount pressure gauges (optional) ..... (See model code for options)

**Table 1 - Outlet Pressure (psig)**

Outlet Press.	Control Spring Data	
Range	Part Number	Color Code
0 to 35	11161	UNPAINTED
0 to 60	11163	BLUE
0 to 125	11164	RED

**Table 2 - Pressure Range (psig) & Capacity (scfh)**

Outlet Press.	Outlet Press. Range	Inlet Press >	Outlet Outlet Press. Inlet Capacity In SCFH of 0.6 Specific Gravity Natural Gas				
			50	75	100	150	250
25	0-35	CAPACITY >	516	710	968	1290	1806
40	0-60	CAPACITY >	194	645	645	903	1806
80	0-125	CAPACITY >	—	—	516	839	1290



# Model Code

## Determining the Model Number

Example given: A Filtered, 0-60 psig Outlet Pressure with Square Head Adjustment Screw, Mini Gun II Pressure Reducing Regulator.

# MODEL W67FR 60 Q - N

**A**

**B**

**C**

**D**

**E**

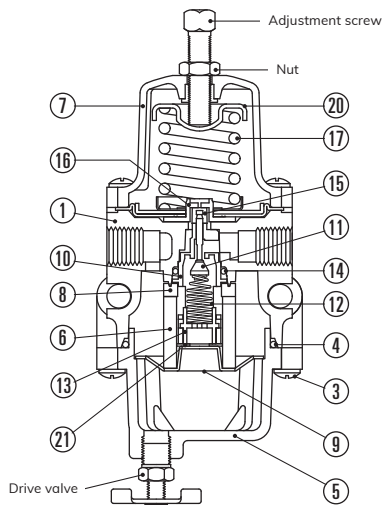
A TYPE	
W67R	Non-Filtered
W67FR	Filtered

B OUTLET PRESSURE	
35	0-35 psig
60	0-60 psig
125	0-125 psig

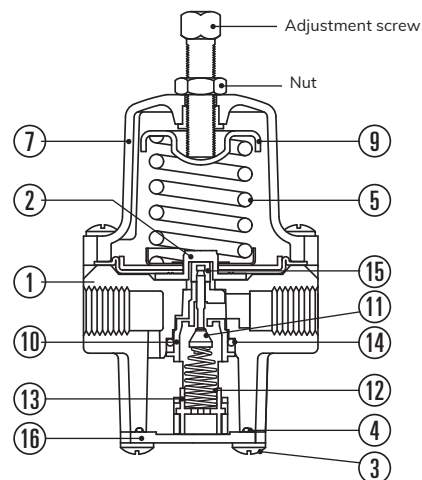
C OUTLET PRESSURE	
Q	Square Head Adjustment Screw

D GAUGE OPTION	
-	No Gauge
A	Standard Gauge (Brass)
B	Stainless Steel
C	Liquid-Filled Bronze

E OPTIONS	
-	Standard
N	NACE (Only 0-60 psi Range)
H	Stainless Steel Adjusting Screw/Nut



**Filtered Unit**



**Non-Filtered Units**

# Why you can depend on genuine Norriseal-Wellmark products

- In-house engineering and technical support
- In-depth applications experience
- Award-winning innovation and ongoing product development
- ISO 9001 certified manufacturing
- Over five decades of industry service
- Compliance with all industry standards and specifications
- Responsive service and prompt delivery
- Field support available worldwide

Contact Norriseal-Wellmark for more information about our products and services.

### Texas

Houston . . . . . 713-466-3552

### Oklahoma

Oklahoma City . . . . . 405-672-6660

### Louisiana

Broussard . . . . . 337-837-3223



Follow us on LinkedIn.

### Request for Quote

NRS\_RFQ@championx.com



NorrisealWellmark.com

Norriseal-Wellmark | 11122 W Little York Rd | Houston, TX 77041 | T: +1 877-667-6418

This document is provided on an "as is" basis without warranties of any kind. Norriseal-Wellmark DISCLAIMS ALL WARRANTIES, EXPRESS OR IMPLIED, INCLUDING, BUT NOT LIMITED TO, IMPLIED WARRANTIES OF MERCHANTABILITY, FITNESS FOR A PARTICULAR PURPOSE OR SUITABILITY FOR ANY PURPOSE, TITLE, AND NON-INFRINGEMENT. While reasonable care has been taken in the preparation of this document, Norriseal-Wellmark does not represent or warrant that the contents of this document are accurate, complete, reliable, current or error-free.