

Wellmark Series W1200

DVO Low-Bleed Pneumatic Liquid Level Control

Application

The Model W1200 DVO Pneumatic Level Control is float-activated to operate dump valves and similar devices. It is snap-acting, primarily designed for gas compressor scrubber level applications. Control may also be used anywhere level switching of a nonpressurized vessel is required. Low level switch design may be used for fuel, lube oil, hydraulic oil, etc. NACE MR0175 is standard for wetted process components. Models are available in all Stainless Steel. These level controls have screw in connections for direct installation or an optional external float chamber is available.

Features

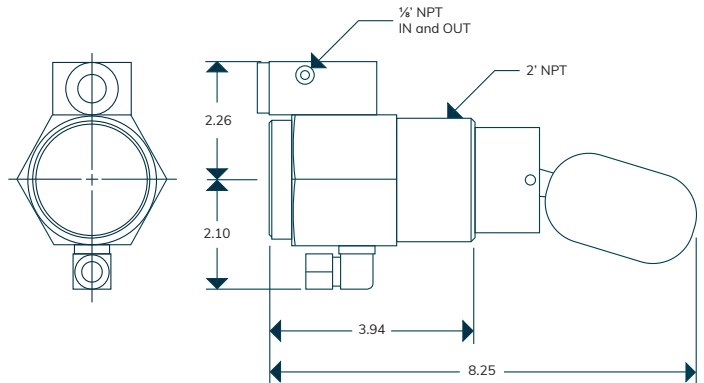
- NACE MR0175 process standard
- Designed for harsh gas compressor scrubber applications
- FloatLite float operates in 0.5 specific gravity and heavier fluids
- Improved design provides better snap action and dependability with reduced number of moving parts
- All models screw directly into the vessel or can be mounted via external float chamber
- Nickel plated body to provide enhanced corrosion protection
- Push-button dump valve override standard

Specifications

Max. working pressure	
FloatLite float	2000 psi
304 stainless steel float	1500 psi
Temperature rating	-20°F to 300°F (400°F available)
Specific gravity	
FloatLite float	0.5
304 stainless steel float	0.65
Process connection	2" NPT
DVO valve	.3-way N.C. with manual override
Connections	1/8" NPT (Min. 30 psig required)



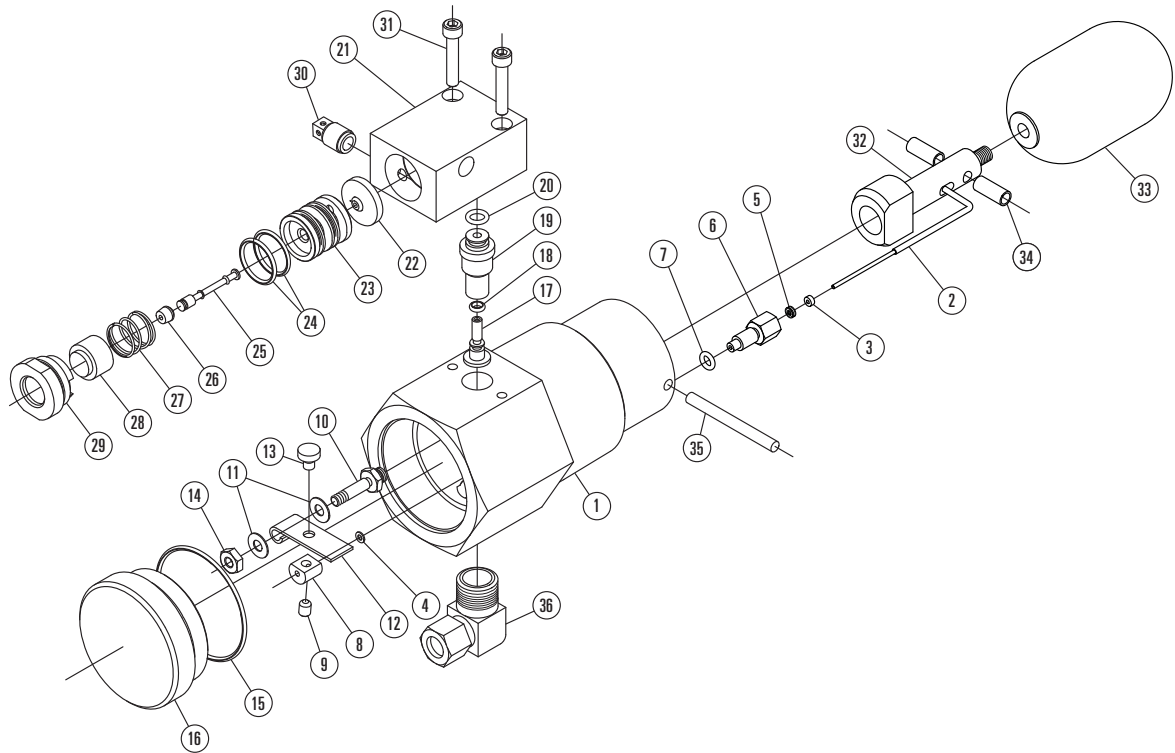
The Series W1200 low-bleed pneumatic level control is part of the Wellmark Series SP scrubber package.



Materials

Body	Electroless nickel plated steel std. (S.S. available)
Float	S.S. std. (FloatLite available)
O-rings	Viton®

Parts list



ITEM	DESCRIPTION	QTY.	Part No.
1	BODY, STEEL 1018	1	1121714
2	WIRE, STAINLESS STEEL	1	1126793
3	SPACER	1	1121208
4	WASHER, NYLON	1	1121794
5	QUAD RING	1	1120658
6	PORT, STAINLESS STEEL	1	1119215
7	O-RING, VITON	1	1038577
8	CAM, STAINLESS STEEL	1	1122694
9	SET SCREW, SS	1	1126762
10	POST, SS	1	1120614
11	WASHER, NYLON	1	1123720
12	ACTUATOR, STAINLESS STEEL	1	1120129
13	SEAT, NITRILE	1	1126792
14	NYLOC NUT, STAINLESS STEEL	1	1145871
15	O-RING, NITRILE	1	1031480
16	CAP, STAINLESS STEEL	1	1120132
17	NOZZLE, STAINLESS STEEL	1	1125716
18	O-RING, VITON	1	1123116
19	NOZZLE BODY, STAINLESS STEEL	1	1122237

ITEM	DESCRIPTION	QTY.	Part No.
20	O-RING, VITON	1	1016614
21	PILOT HOUSING, ALUMINUM	1	1122177
22	DIAPHRAGM, VITON	1	1125967
23	SPOOL, ALUMINUM	1	1123255
24	O-RING, VITON	1	1119237
25	STEM, STAINLESS STEEL	1	1124205
26	PLUG, VITON	1	1119664
27	SPRING, STAINLESS STEEL	1	1123271
28	MANUAL BUTTON, DELRIN®	1	1121258
29	PILOT CAP, ALUMINUM	1	1121650
30	BREATHER, PLASTIC	1	1126383
31	SCREW, STAINLESS STEEL	1	1122110
32	COUNTER WEIGHT, STAINLESS STEEL	1	1120152
33	FLOAT, STAINLESS STEEL	1	1120776
34	SPACER, STAINLESS STEEL	1	1126808
35	PIN, STAINLESS STEEL	1	1120613
36	VENT ASSEMBLY, BRASS	1	1123673
37	NAME PLATE, (NOT SHOWN)	1	1126216

Model code

Determining the model code

Example given: Standard Model W1200 DVO-*–Series W1200 DVO Pneumatic Level Control with Manual Override.

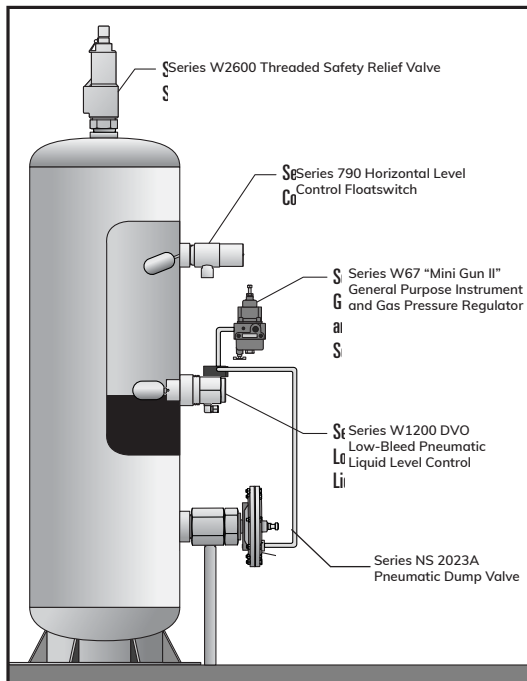
W1200 DVO-*



OPTIONS	
Code	Type of option
R	Airset Regulator
SS	S.S. Body
FL	FloatLite (.5SG)
H	Hi-Temp (400°F)
EC	External Cage
E**	Float Arm Extension

Notes: *For options, add code to end of Model Number.
 **Add length of extension behind code (E).
 Extension arms available in 1", 2", 3" 4"

SP Scrubber Package includes 790, W1200 DVOR, NS 2023A and optional W2600 Safety Relief Valve.



Scrubber package setup

The system provides for liquid control in gas scrubber applications by dumping liquids to drain and protecting compressors with a high liquid level switch. Wetted metal parts are made to survive constant use in corrosive environments.

Pneumatic level control

Float actuated level snap acting switch controls pneumatic pressure to open and close the dump valve.

High level shutdown switch

Stainless Steel float actuated level switches to alarm and/or shutdown the equipment.
 See 790 brochure for more information.

Pneumatic dump valves

The Norriseal Series 2023A valve is a high-pressure, reverse-seating liquid dump valve used in separators and other process vessels. Refer to the 2023A brochure for more information.

Why you can depend on genuine Norriseal-Wellmark products

- In-house engineering and technical support
- In-depth applications experience
- Award-winning innovation and ongoing product development
- ISO 9001 certified manufacturing
- Over five decades of industry service
- Compliance with all industry standards and specifications
- Responsive service and prompt delivery
- Field support available worldwide

Contact Norriseal-Wellmark for more information about our products and services.

Texas

Houston 713-466-3552

Oklahoma

Oklahoma City 405-672-6660

Louisiana

Broussard 337-837-3223



Follow us on LinkedIn.

Request for Quote

NRS_RFQ@championx.com



NorrisealWellmark.com

Norriseal-Wellmark | 11122 W Little York Rd | Houston, TX 77041

This document is provided on an "as is" basis without warranties of any kind. Norriseal-Wellmark DISCLAIMS ALL WARRANTIES, EXPRESS OR IMPLIED, INCLUDING, BUT NOT LIMITED TO, IMPLIED WARRANTIES OF MERCHANTABILITY, FITNESS FOR A PARTICULAR PURPOSE OR SUITABILITY FOR ANY PURPOSE, TITLE, AND NON-INFRINGEMENT. While reasonable care has been taken in the preparation of this document, Norriseal-Wellmark does not represent or warrant that the contents of this document are accurate, complete, reliable, current or error-free.