

Wellmark Series 685I

Visual liquid level indicator for atmospheric vessels



Application

The model 685I is a liquid head pressure type level indicator. It continuously indicates the liquid level in an atmospheric (vented) tank in feet and inches. Also, the scale on the msodel 685I is available calibrated for horizontal cylindrical vessels in pounds, gallons, barrels, percent, etc.

Features

- **Simple adjustments:** zero adjustment knob and one specific gravity (span) knob. Unit can be factory calibrated for a nominal cost or field adjusted in less than 15 minutes, without having to change the liquid level in the vessel
- **Easy to read:** scale reads the same as a hand tank gauge, making it unnecessary to convert psig of head pressure into feet and inches of liquid to get the correct reading
- **Long life:** all bearings are Teflon[®], Delrin[®], or moly disulphide baked on dry film lubricated stainless steel

Operation

Liquid head pressure against a flexible elastomer diaphragm is transmitted directly to a leaf spring, which has a fixed pivot point at the upper end and an adjustable fulcrum point in the mid region of the leaf spring. For example, because 8 feet of heavy liquid exerts more pressure on the diaphragm than 8 feet of lighter liquid, the spring can be "stiffened" by moving the fulcrum down by the gravity adjustment knob (red), so the transmitter will still read 8 feet. The zero knob (green) moves the entire spring assembly and pointer, having the same effect as shifting the scale.

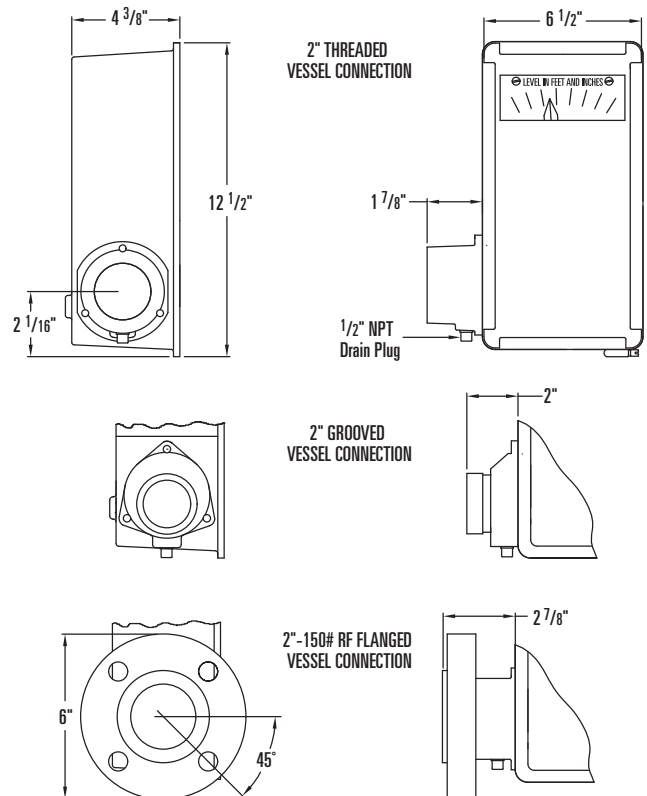
Installation

Since the unit measures liquid head pressure, the point at which it is installed on the vessel is the point that liquid measurement begins. For calibration and maintenance purposes, always install an isolation valve between the model 685I and the vessel. Also, install a drain petcock in the liquid inlet bottom, where a plug is generally located.

Specifications

Indicator housing	Weatherproof
Proof pressure	100 Psig
Temperature	-20° F to 225° F standard
Pressure	0 to 4 ounces pressure (atmospheric)
Range (vessel height)	3 feet thru 60 feet (see 685 code sheet)

Dimensional Data



Part list

ITEM	DESCRIPTION	QTY.	PART NO.
1	Housing, aluminum	1	000154-M
2	Point assembly	1	000071-A
3	Main spring assembly, std.	1	000053-A
	Main spring assembly, thin	1	000054-A
	Main spring assembly, double	1	000055-A
4	Zero knob, shaft & pin	1	000010-A
5	Adapter	1	SEE CHART
6	Pipe plug, steel plated	1	002300-C
	Pipe plug, 304 S.S.	1	002304-P
	Pipe plug, 316 S.S.	1	002307-P
	Pipe plug, PVC	1	002301-P
7	Screw, steel plated	3	001508-P
	Screw, 2-in NPT PVC adapter only	3	001542-P
	Screw, 2-in 50RF PVC only	3	001553-P
8	Zero spring, stainless steel	1	003102-P
9	Wear spring, stainless steel	1	003103-P
10**	Diaphragm, Buna-N	1	000700-P
	Diaphragm, Viton†	1	000713-P
	Diaphragm, compound W	1	000720-P
	Diaphragm, Teflon	1	000703-P
11	Screw, 18-8 stainless steel	1	001507-P
12	Follower bearing, stainless steel	1	003909-L
13	Point decal	1	005900-P
14	Spring bearing, stainless steel	1	000009-A
15	Washer, Teflon	1	001807-P
16	Retainer O-ring, neoprene	1	003602-P
17***	Scale, aluminum	1	0030xx-P
18	Screw, 18-8 stainless steel	2	001504-P
19*	Tag, aluminum	1	005906-P
20*	Bezel frame, stainless steel	1	000023-P
21*	Bezel seal	1	003400-P
22*	Window, acrylic	1	000204-S
23*	Washer, PVC adapter only	1	001809-P

*Not shown on model

**Recommended spare parts. Other materials available.

***Specify tank height when ordering.

†Teflon™ is a registered trademark and a brand name (Teflon®) owned by Chemours

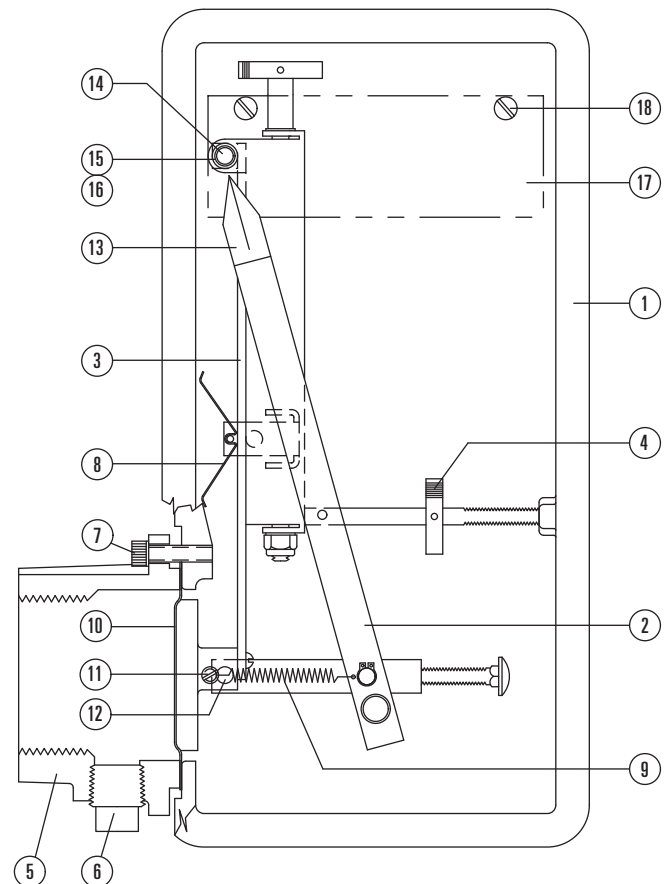
‡Viton™ is a registered trademark and a brand name (Viton®) owned by Chemours

§Delrin® is a registered trademark of DuPont

Item #5 part number

VESSEL CONNECTION	CAD. PLATED	EPOXY COATED	TEFLON COATED
2-in NPT, D.I.	000307-C	000307-E	000307-T
2-in NPT, 316 S.S.	000317-M*	000317-E	000317-T
2-in 150RF, STEEL	000335-C	000335-E	000336-T
2-in 150RF, 304 S.S.	000338-M*	000338-E	N/A
2-in 150RF, 316 S.S.	000341-M*	000341-E	000341-T
3-in 150RF, STEEL	000345-C	000345-E	N/A
2-in GROOVE, D.I.	000302-C	000303-E	000302-T
2-in NPT, PVC	000343-M*	N/A	N/A
2-in 150RF, PVC	000342-M*	N/A	N/A

*Plating not required.



Why you can depend on genuine Norriseal-Wellmark products

- In-house engineering and technical support
- In-depth applications experience
- Award-winning innovation and ongoing product development
- ISO 9001 certified manufacturing
- Over five decades of industry service
- Compliance with all industry standards and specifications
- Responsive service and prompt delivery
- Field support available worldwide

Contact Norriseal-Wellmark for more information about our products and services.

Texas

Houston 713-466-3552

Oklahoma

Oklahoma City 405-672-6660

Louisiana

Broussard 337-837-3223



Follow us on LinkedIn.

Request for Quote

NRS_RFQ@championx.com



NorrisealWellmark.com

Norriseal-Wellmark | 11122 W Little York Rd | Houston, TX 77041 | T: +1 877-667-6418

This document is provided on an "as is" basis without warranties of any kind. Norriseal-Wellmark DISCLAIMS ALL WARRANTIES, EXPRESS OR IMPLIED, INCLUDING, BUT NOT LIMITED TO, IMPLIED WARRANTIES OF MERCHANTABILITY, FITNESS FOR A PARTICULAR PURPOSE OR SUITABILITY FOR ANY PURPOSE, TITLE, AND NON-INFRINGEMENT. While reasonable care has been taken in the preparation of this document, Norriseal-Wellmark does not represent or warrant that the contents of this document are accurate, complete, reliable, current or error-free.