

FIRESAFE 2-PC DIRECT MOUNT

PED   NACE  SIL2 Safety Integrity Level **API 607** **API 608**



114 Resource Drive Wentzville, MO 63385 USA
Tel: (636) 856-8576 - Fax: (636) 856-8930
www.sestovalves.com - sales@sestovalves.com

Features & Benefits

M22N Series

2000 WOG (Class 800) 2-PC Seal-Weld Design



Certifications and Compliance

Sesto Valves are designed and manufactured to internationally recognized standards including but not limited to the following:

Fire Testing: API 607 Certified

Testing: API 598, API 6D, ISO 15848, ISO 5208

Design: ASME B16.34, ASME B16.5, ASME B16.10, NACE MR0175

Markings: MSS-SP-25, PED, NACE

Certifications: API 607, SIL, NACE, PED, ISO 15848, API 608

Features and Benefits

Class 800 (2000 WOG) Size Range 1/4" thru 2" Full Bore

ISO 5211 Direct Mount Pad

Body Wall Thickness ASME B16.34

End Connections: NPT, SW, BW, RF, Special

Fugitive Emissions ISO 15848

Firesafe Tested API 607

Anti-Static Device and Live-Loaded Packing

Bubble Tight Shut Off

Blowout Proof, Low Torque Guided Stem Design

Manual, Electric, Pneumatic Operators

Globally Certified and Approved

End Connections



Threaded
(NPT)

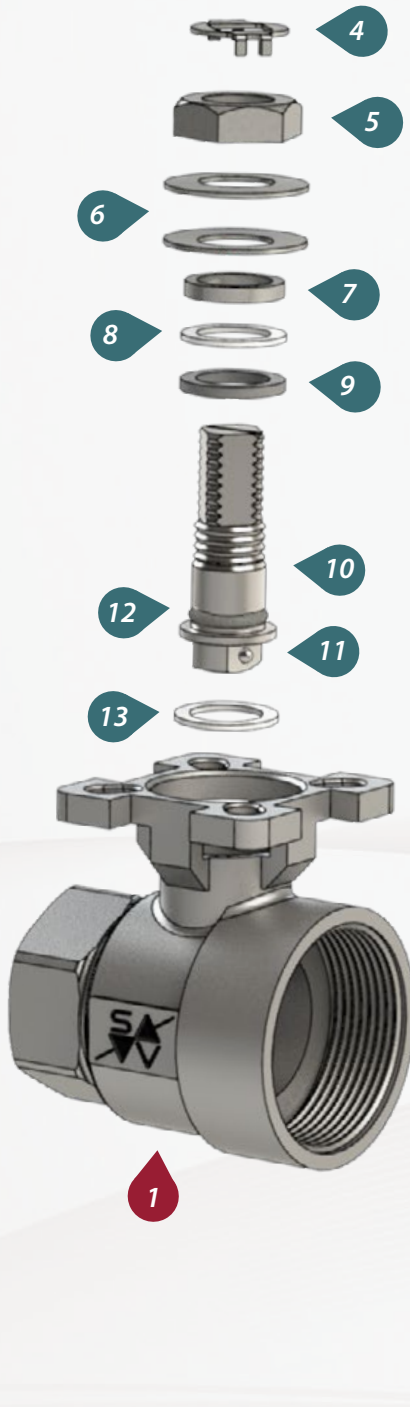


Socket Weld
(SW)

This section left intentionally blank.

Firesafe 2-PC Direct Mount Seal-Weld Design

ASME B16.34, API 608, API 607, ISO 15848, NACE MR-0175, Sil 2
 Certified Torques and Tolerances Verified for Consistency




#	PARTS	CF8M STAINLESS STEEL (BODY CODE "S")	WCB CARBON STEEL (BODY CODE "C")
1	BODY	ASTM A351-CF8M	ASTM A216-WCB
2	END CAP	ASTM A351-CF8M	ASTM A216-WCB
3	BALL	ASTM A351-CF8M/316	ASTM A351-CF8M/316
4	NUT LOCK	AISI 304	AISI 304
5	NUT	AISI 304	AISI 304
6	BELLEVILLE WASHERS	AISI 301	AISI 301
7	GLAND	AISI 304	AISI 304
8	PACKING PROTECTOR	CTFE	CTFE
9	STEM PACKING	GRAPHITE	GRAPHITE
10	STEM	ASTM A276-316	ASTM A276-316
11	ANTI-STATIC DEVICE	AISI 316	AISI 316
12	O-RING	VITON**	VITON**
13	THRUST WASHER	PTFE	PTFE
14	BODY SIDE SEAT	REFER TO SEAT GUIDE	REFER TO SEAT GUIDE
15	END CAP SIDE SEAT	REFER TO SEAT GUIDE	REFER TO SEAT GUIDE
16	GASKET	GRAPHITE	GRAPHITE

** Other Options Available Upon Request

Seat Guide & PT Chart

M22 Series Seat Guide

TFM 4215
RECOMMENDED
Higher Steam than standard TFM 1600. Moderate abrasives
NOT RECOMMENDED
Fluorinated Chemicals
TEMPERATURE
-45°C to +232°C (-50°F to +450°F)
COLOR
 Dark Grey

Advantages of TFM 4215

Sesto Valves has selected TFM 4215 as the standard seat material for our M22 Series ball valve because of its excellent combination of properties. The material builds upon TFM 1600 by alloying it with 25% electro-graphitized carbon which further enhances the properties of the material. The enhancements include the following:

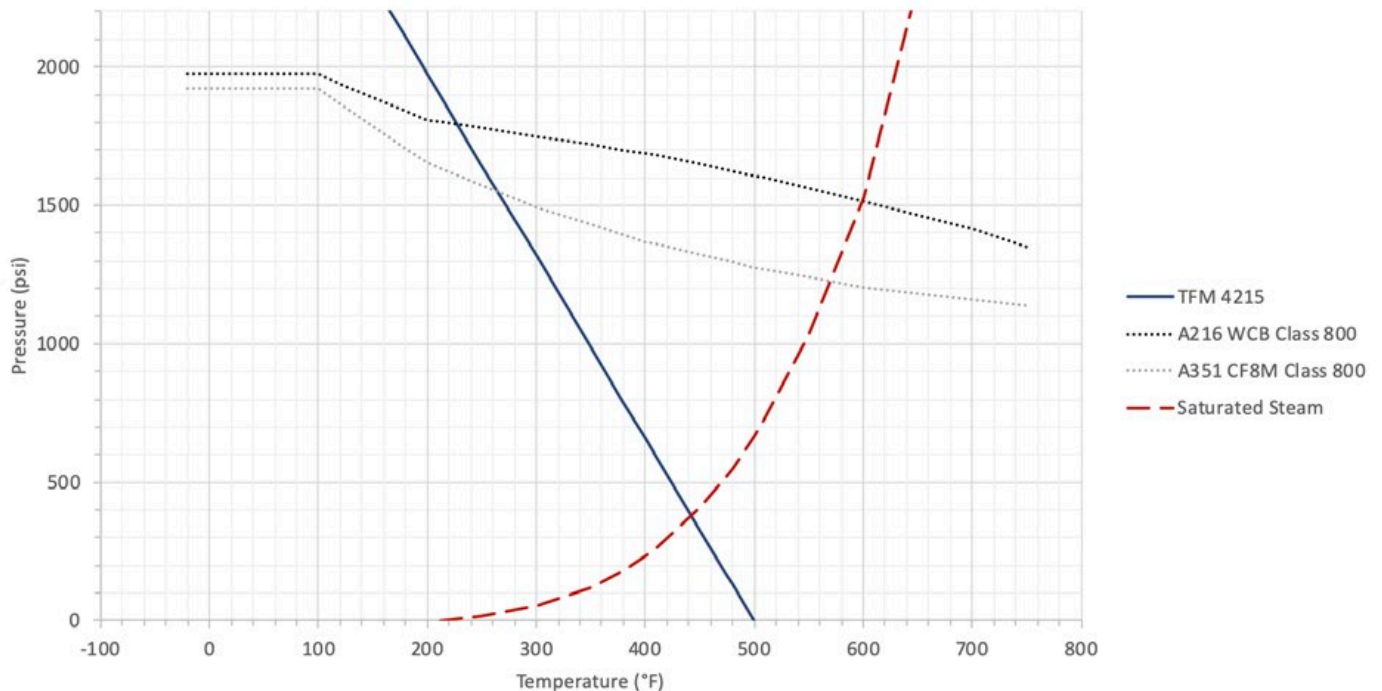
- Increased dimensional stability across a wide range of temperatures
- Increased hardness
- Stability under load
- Good chemical stability
- Low friction
- Exceptional temperature resistance

As a result of these enhancements, valves equipped with TFM 4215 seats can chemically withstand the same applications as TFM 1600 but over a broader temperature range and at higher pressures and is therefore suitable for use in the following and other industries and applications:

- Petrochemical
- Oil and Gas
- Power generation
- Industrial
- HVAC

M22 Series Pressure Temperature Chart

M22 Series - Pressure vs. Temperature



Example Part Number

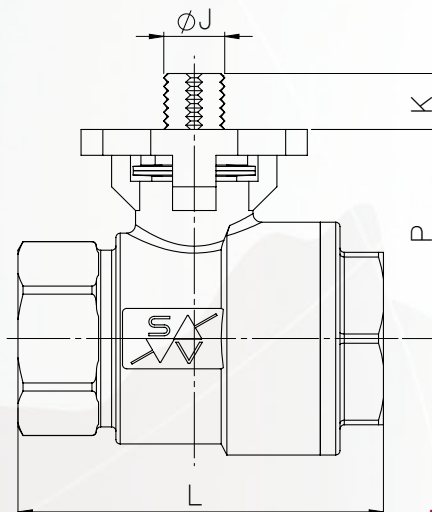
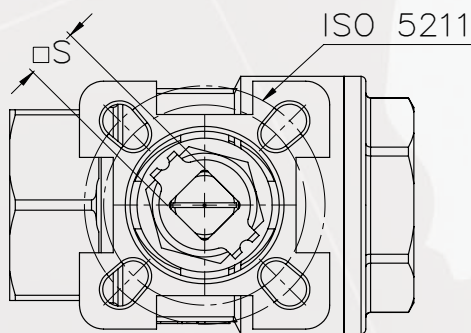
FIGURE	-	SIZE	-	BODY	TRIM	TYPE	SEATS	-	OPERATOR	-	SPECIAL
M22N	-	02	-	C	6	0	G	-	N	-	

EXAMPLE PART NUMBER: M22N-02-C60G-N

EXAMPLE DESCRIPTION: 2" FLOATING 2-PC CLASS 800 FULL PORT BALL VALVE, SESTO M22 SERIES, NPT THREADED ENDS, ASTM A216 GR WCB BODY, ASTM A351 CF8M BALL, ASTM A276-316 STEM, STANDARD BALL TYPE, TFM 4215 SEATS, VITON O-RING, GRAPHITE FIRE SAFE PACKING, API 607, NACE, BARE STEM

FIGURE	-	SIZE	-	BODY
M22N - FLOATING 2-PC SEAL WELD CLASS 800 (2000 WOG) THREADED BALL VALVE, FULL BORE	-	0Q - 1/4" 0R - 3/8" 0M - 1/2" 0T - 3/4"	-	C - ASTM A216 GR WCB S - ASTM A351 CF8M 9 - SPECIAL
		01 - 1" 1Q - 1 1/4" 1M - 1 1/2" 02 - 2"		

TRIM	TYPE	SEATS	-	OPERATOR	-	SPECIAL
6 - 316 SS BALL / 316 SS STEM 8 - 304 SS BALL / 304 SS STEM 9 - SPECIAL	0 - STANDARD V - V-PORT BALL S - SLOTTED BALL R - RELIEF VENTED BALL 9 - SPECIAL	G - TFM 4215 9 - SPECIAL	-	N - BARE STEM L - LOCKING LEVER 9 - SPECIAL D - OVAL HANDLE	-	CONSULT FACTORY



Dimensions

SIZE (in)	BORE (in)	S (in)	ØJ (in)	K (in)	L (in)	P (in)	ISO 5211	CV	WEIGHT (lb)	TFM 4215
1/4"	-	-	-	-	-	-	-	7	-	84
3/8"	-	-	-	-	-	-	-	10	-	84
1/2"	0.59	0.35	0.47	0.33	2.64	1.46	F03-F04	15	1.1	84
3/4"	0.79	0.35	0.47	0.35	2.83	1.59	F03-F04	35	1.4	104
1"	1.00	0.43	0.55	0.55	3.31	1.91	F04-F05	68	2.4	137
1 1/4"	1.26	0.43	0.55	0.55	3.74	2.05	F04-F05	110	3.4	309
1 1/2"	1.50	0.55	0.75	0.71	4.41	2.69	F05-F07	155	5.5	388
2"	1.97	0.55	0.75	0.71	5.81	3.05	F05-F07	300	9.1	663

Torques

Sesto Valves may change dimensions without any notice.

Raw torques shown in inch-pounds. Minimum 30% safety factor should be added for actuator sizing.



European Headquarters
Agrate Brianza (MB) Italy

North American Headquarters
114 Resource Drive Wentzville, MO 63385 USA
Tel: (636) 856-8576 - Fax: (636) 856-8930
www.sestovalves.com - sales@sestovalves.com

Asian Office
Jinan, China

Rev: 10.16.2020