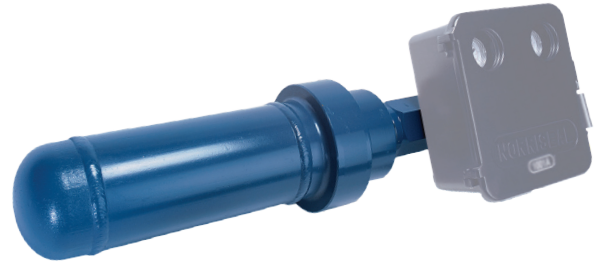


Norriseal Series 1006 Horizontal Chambers

Series 1006 Style 4V12 Horizontal Chamber

Externally mounted carbon steel chamber (other materials available) used with Series 1001 and 1001A liquid level controllers.

- 1.0-in. NPT 3,000 psig working pressure @ 220°F (104°C) process connections top and bottom
- Level controller connection can be 2.0-in. NPT or flanged

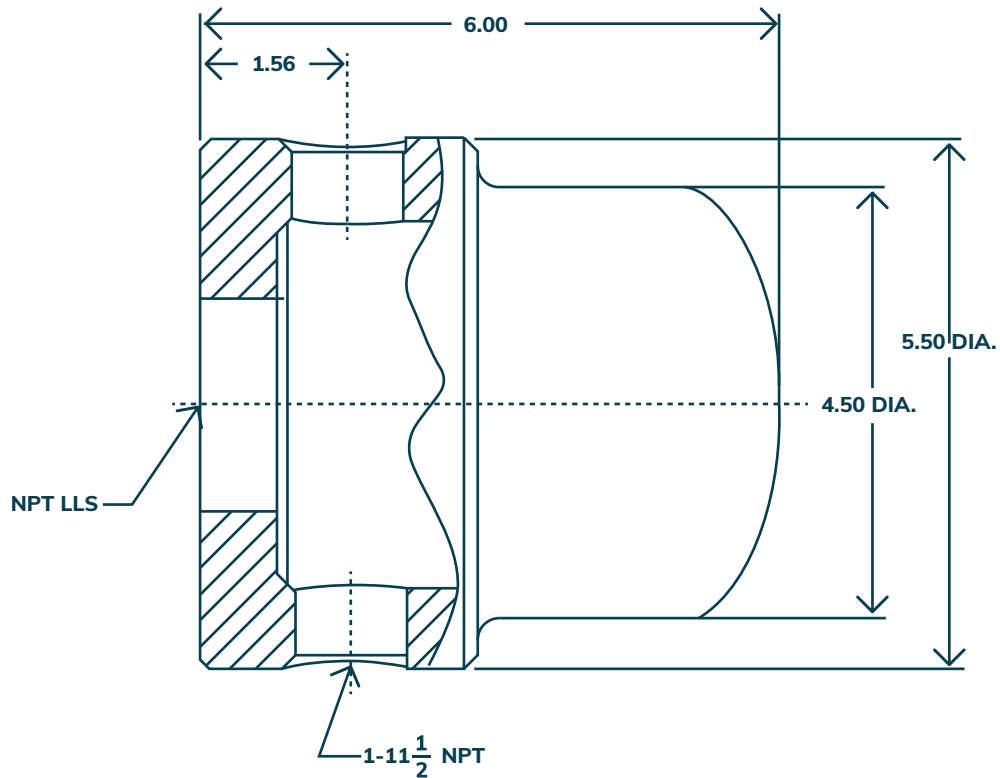


Series 1006 Style 4V03 Horizontal Chamber

Externally mounted carbon steel or 316 SST chamber used with Series 1002A, 1005E and 1005P1 liquid level switches.

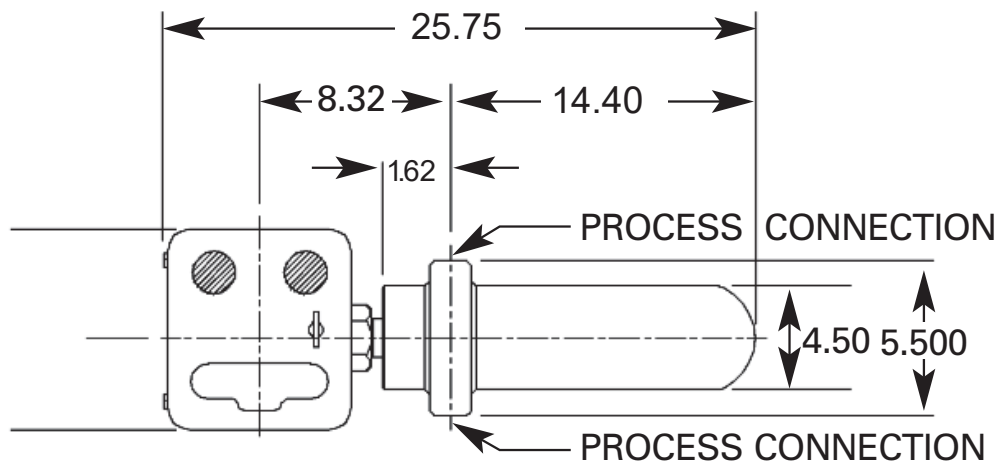
- 1.0-in. NPT process connections
- 1.5-in. and 2.0-in. NPT level switch connections
- 3,000 psig working pressure @ 220°F (104°C)

Horizontal Chamber Dimensions



Series 1006 horizontal chamber

For Model Code see next page.



Typical NPT level controller & chamber
(flanged configuration available)

Model Code

1006 4 - V - 03 - 10 SC 30 - 2.0NPTLLS



A

CHAMBER PIPE SIZE	
Code	Size
4	4"

B

HORIZONTAL CHAMBER STYLE			
Code	Process Connection Type	Process Connection Orientation	Level Control/Switch Connection
L	Female NPT	Top - Bottom	Flanged
V	Female NPT	Top - Bottom	Female NPT

C

DISPLACER LENGTH	
Code	Type
03	3"
12	12"

D

CHAMBER MATERIAL		
Code	Material	Service
-	Carbon Steel A105/106	Standard
N	Carbon Steel A105/106	NACE
S	Stainless Steel 316SS	Standard
W	Stainless Steel 316LSS	NACE

E

PROCESS CONNECTIONS	
Code	Size
10	1"

F

PROCESS CONNECTION TYPE	
Code	Type
SC	Female NPT

G

PROCESS CONNECTION RATING	
Code	Max Working Pressure
30	3000PSI*

*Standard WP. For higher pressures consult factory for availability

H

CONTROLLER/SWITCH CONNECTION*		
Code	Connection	Used for
1.5NPT LLS	1-1/2" NPT	Liquid Level Switch (1005E/1005P1)
2.0NPT LLS	2" NPT	Liquid Level Switch (1005E/1005P1)
2.0NPT LLC	2" NPT	Liquid Level Controller (1001/1001A/1001XL)

*For Flanged level controllers consult factory

Why you can depend on genuine Norriseal-Wellmark products

- In-house engineering and technical support
- In-depth applications experience
- Award-winning innovation and ongoing product development
- ISO 9001 certified manufacturing
- Over five decades of industry service
- Compliance with all industry standards and specifications
- Responsive service and prompt delivery
- Field support available worldwide

Contact Norriseal-Wellmark for more information about our products and services.

Texas

Houston 713-466-3552

Oklahoma

Oklahoma City 405-672-6660

Louisiana

Broussard 337-837-3223



Follow us on LinkedIn.

Request for Quote

NRS_RFQ@championx.com



NorrisealWellmark.com

Norriseal-Wellmark | 11122 W Little York Rd | Houston, TX 77041

This document is provided on an "as is" basis without warranties of any kind. Norriseal-Wellmark DISCLAIMS ALL WARRANTIES, EXPRESS OR IMPLIED, INCLUDING, BUT NOT LIMITED TO, IMPLIED WARRANTIES OF MERCHANTABILITY, FITNESS FOR A PARTICULAR PURPOSE OR SUITABILITY FOR ANY PURPOSE, TITLE, AND NON-INFRINGEMENT. While reasonable care has been taken in the preparation of this document, Norriseal-Wellmark does not represent or warrant that the contents of this document are accurate, complete, reliable, current or error-free.