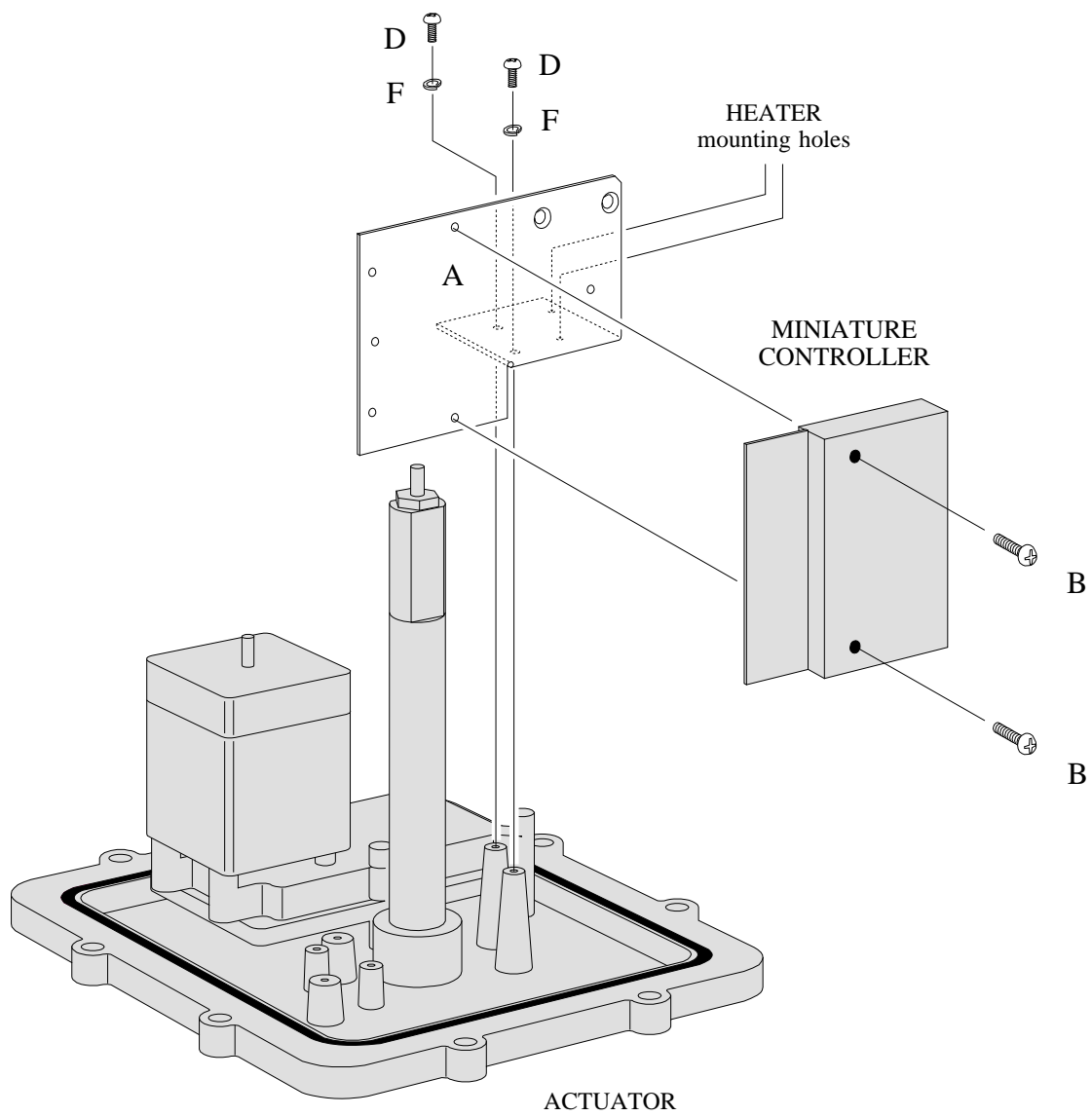
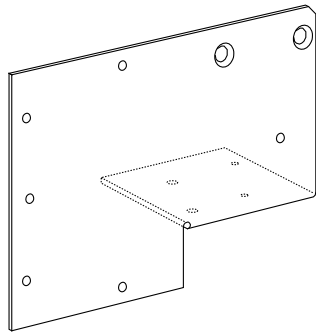


ASSEMBLY DIAGRAM

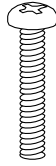
Asahi A92, B92, C92, S92 Actuators



## KIT CONTENTS



A



B



C



D



E



F

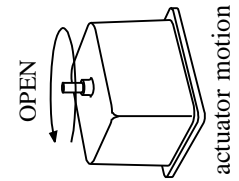
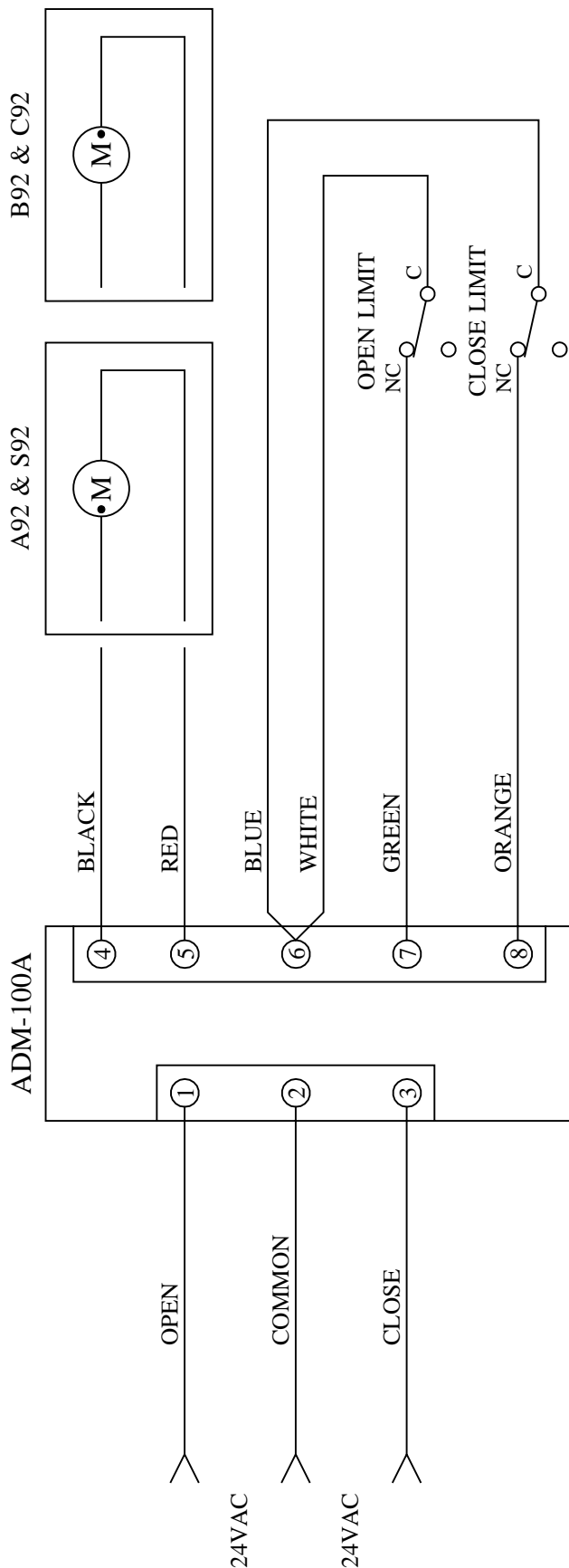
ITEM	QTY	DESCRIPTION
A	1	mounting bracket
B	2	#6-32 x 0.75" pan head screw
C	4	#6-32 X 0.375" pan head screw
D	2	#4-40 x 0.25" pan head screw
E	4	#6 split ring lockwasher
F	2	#4 split ring lockwasher
not shown	1	5.5" white wire
not shown	1	5.5" blue wire
not shown	1	5.5" black wire
not shown	1	5.5" red wire
not shown	1	10.5" green wire w/spade terminal
not shown	1	10.5" orange wire w/spade terminal
not shown	1	10.5" blue wire w/spade terminal
not shown	1	10.5" white wire w/spade terminal
not shown	1	butt connector
not shown	2	6.3" nylon tie wrap

# AC to DC MODULE

## WIRING DIAGRAM

Asahi A92, B92, C92, S92 Actuators

The ADM-100A AC to DC Module allows a 24VDC actuator to be controlled like a 24VAC split-phase motor actuator.

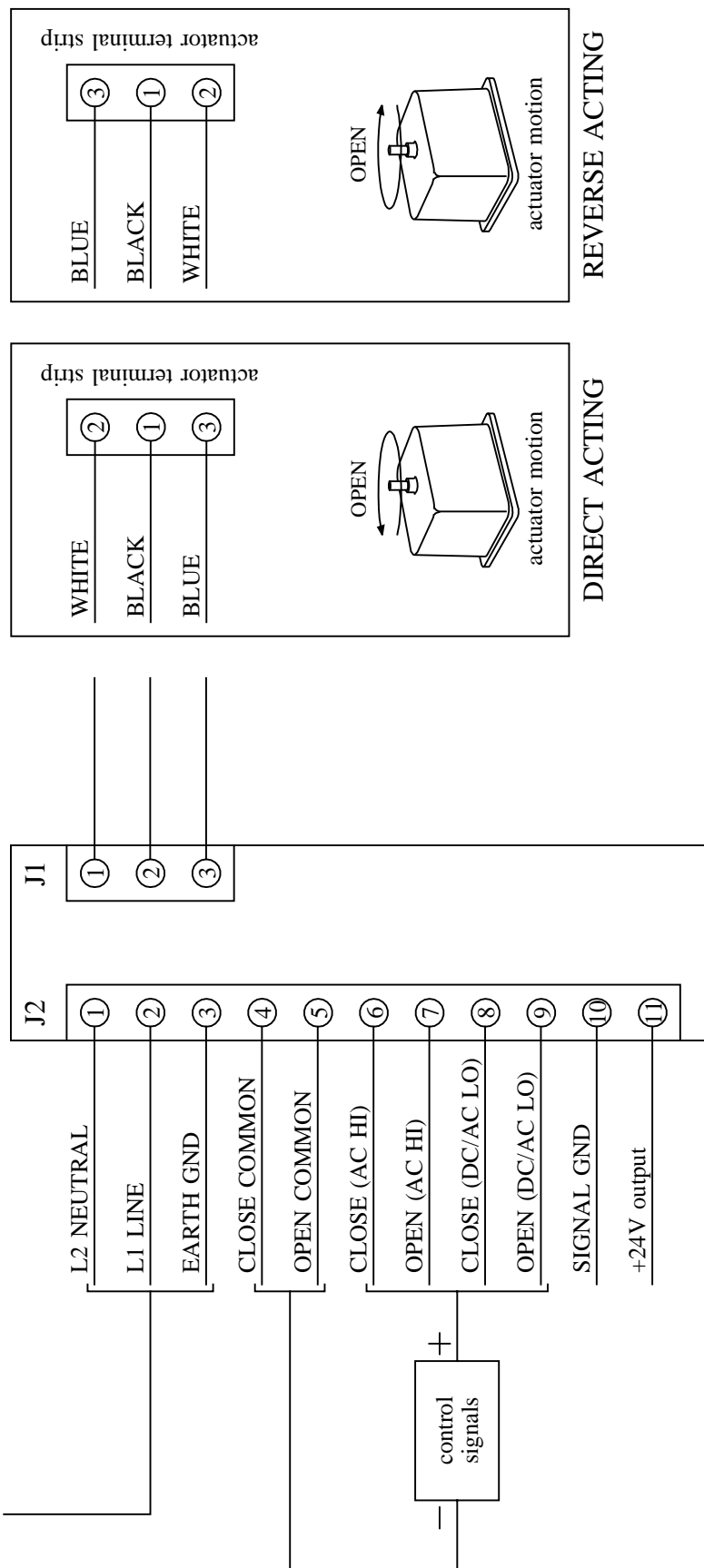


# AC ON/OFF CONTROLLERS

## WIRING DIAGRAM

Asahi A92, B92, C92, S92 Actuators

117VAC AMI-103  
234VAC AMI-103A



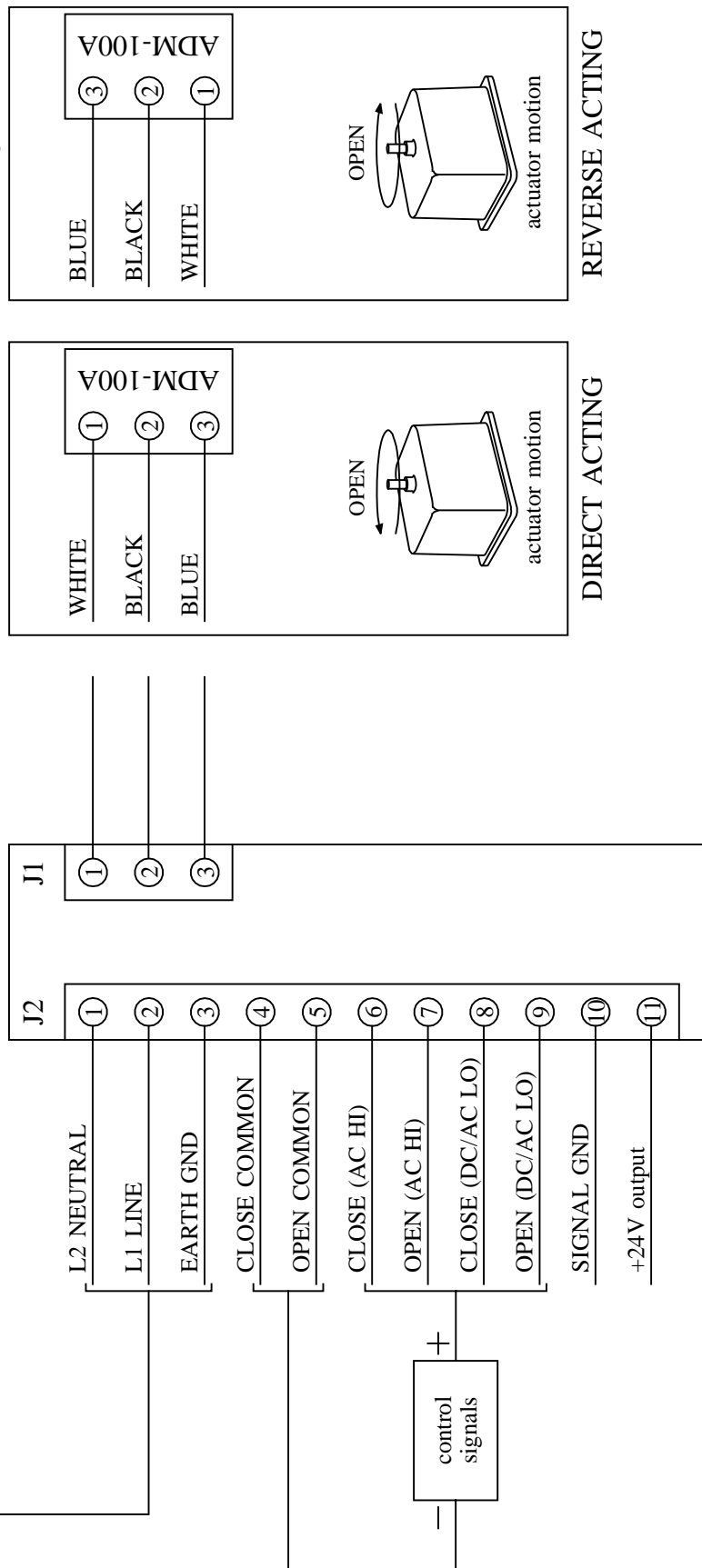
# 24VAC ON/OFF CONTROLLERS

## WIRING DIAGRAM

Asahi A92, B92, C92, S92 Actuators

24VAC AMI-103B

NOTE: This application uses a 24VDC actuator with an ADM-100A AC to DC Module installed. See ADM-100A wiring.

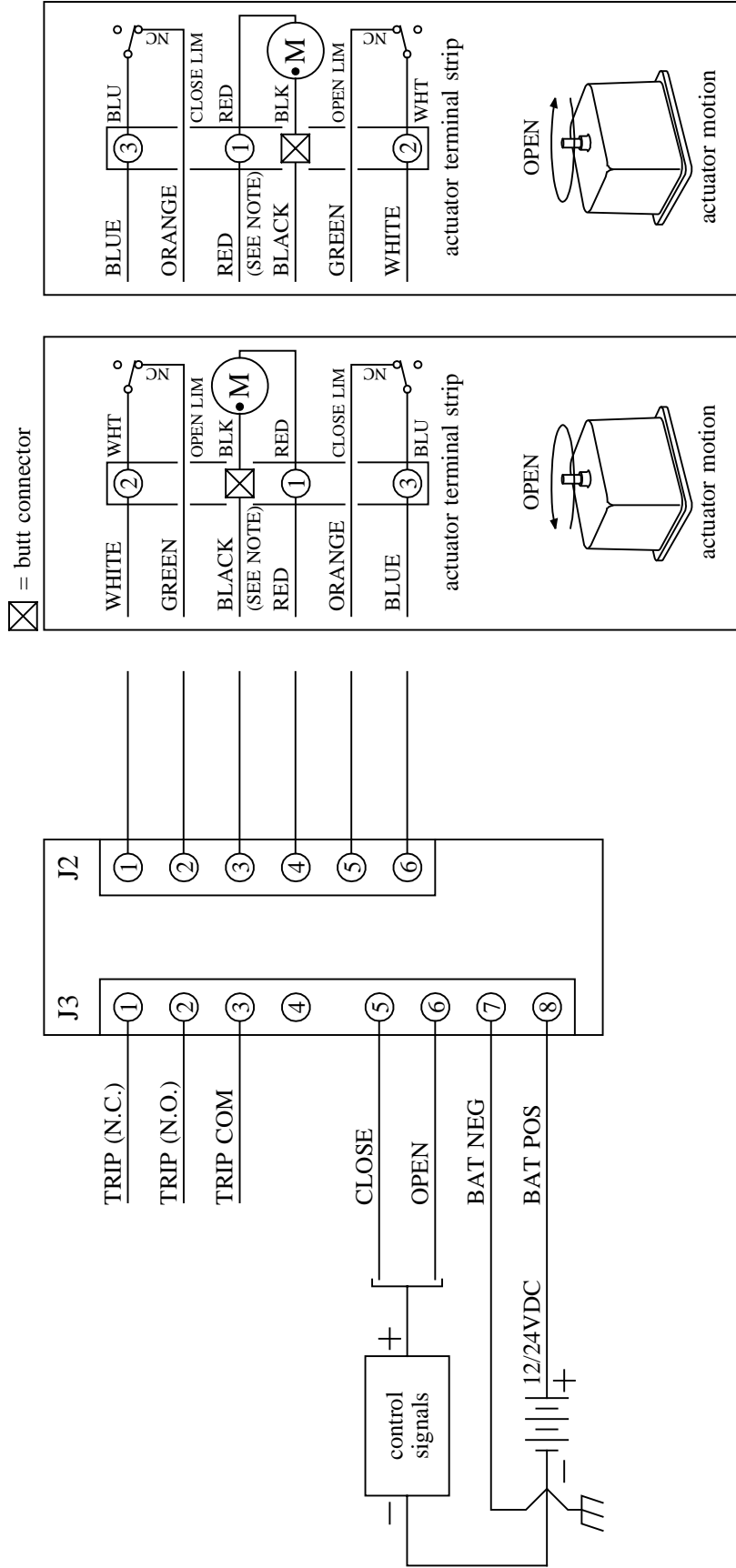


# DC ON/OFF CONTROLLERS

WIRING DIAGRAM

Asahi A92, B92, C92, S92 Actuators

RCM-101A



DIRECT ACTING

REVERSE ACTING

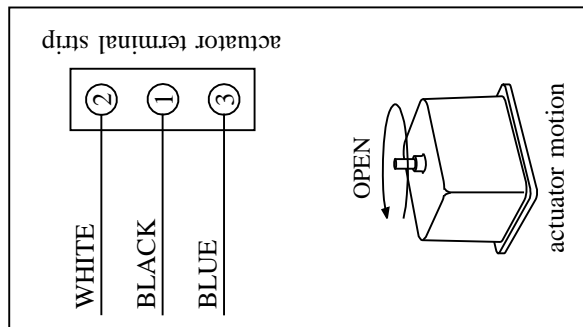
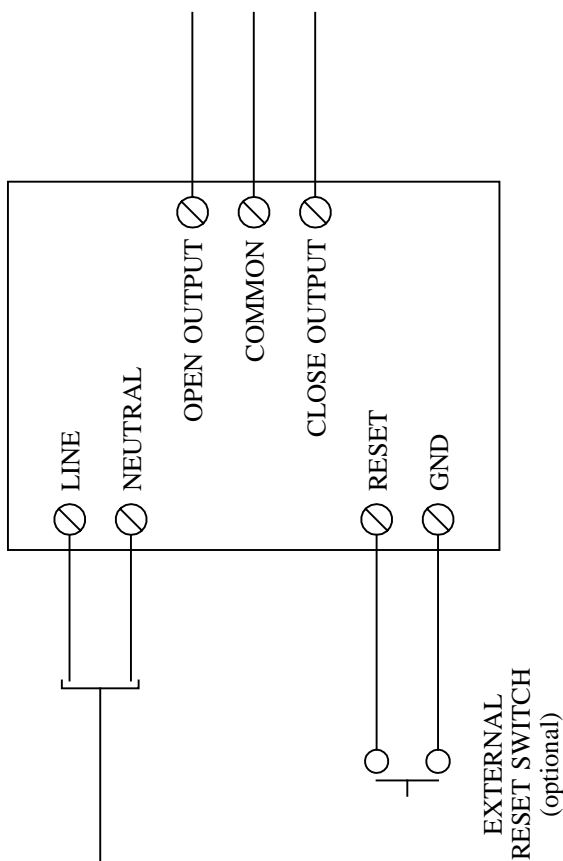
NOTE: Reverse motor leads for B92 and C92 actuators.

# AC SEQUENCE TIMERS

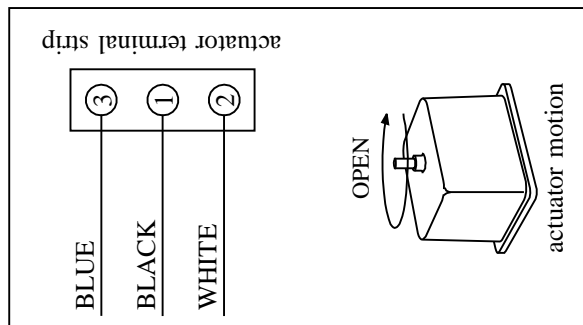
## WIRING DIAGRAM

Asahi A92, B92, C92, S92 Actuators

117VAC AST-100  
234VAC AST-100A



DIRECT ACTING



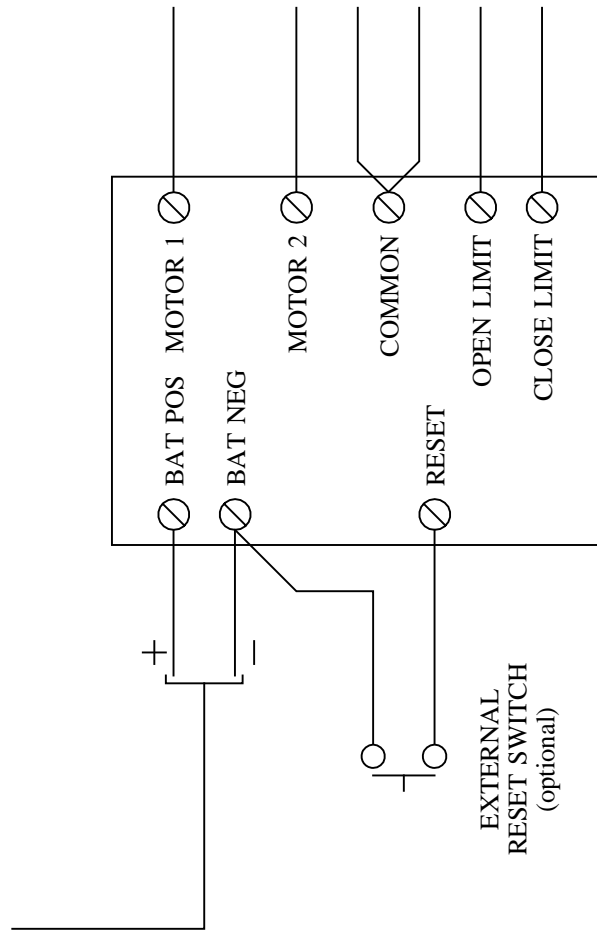
REVERSE ACTING



# DC SEQUENCE TIMERS

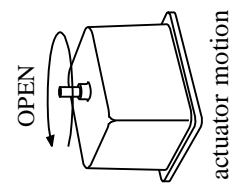
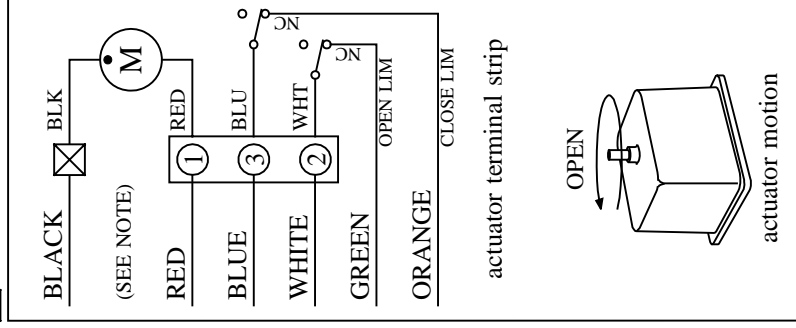
## WIRING DIAGRAM

12VDC DST-100  
24VDC DST-100A

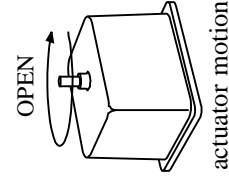
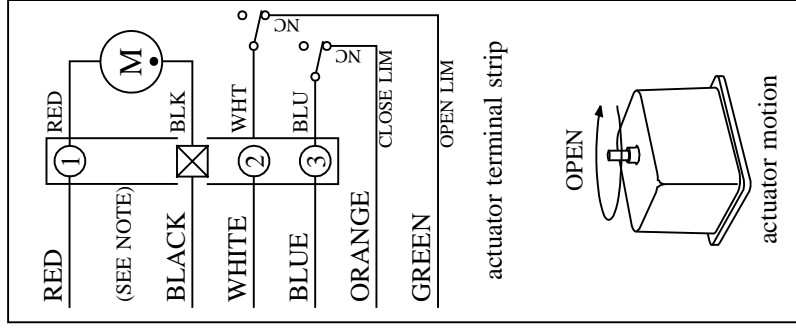


Asahi A92, B92, C92, S92 Actuators

☒ = butt connector



**DIRECT ACTING**



**REVERSE ACTING**

NOTE: Reverse motor leads for B92 and C92 actuators.